



CTB & CTBR SERIES ELECTRIC CONVECTION OVENS REPLACEMENT PARTS LIST



EFFECTIVE JANUARY 12, 2012

Superseding All Previous Parts Lists.

The Company reserves the right to make substitution in the event that items specified are not available.

ERRORS: Descriptive and/or typographic errors are subject to correction.

BLODGETT OVEN COMPANY

44 Lakeside Avenue, Burlington, Vermont 05401 USA Telephone: (802) 658-6600 Fax: (802) 860-3732
www.blodgett.com

P/N 54768 Rev B

IMPORTANT: When ordering parts, please provide the model, voltage and serial number of the oven. The identification plate is located above the control panel under the ledge.

◆ Doors Are Not Returnable

ELECTRICAL COMPONENTS

| Ref. No. | Part No. | Description |
|----------|--------------|--|
| 1 | 20350 | Buzzer, Electric 240V |
| 2 | 18868 | Mode Selector Switch w/o Knob, 1 SP |
| | 21068 | Mode Selector Switch w/o Knob, 2 SP |
| 3 | 16686 | Knob, Mode Selector Switch |
| 4 | 30465 | Cool Down Switch, Rocker SPDT Matt Black |
| 5 | 16037 | Indicator Light, 250V, Red, Round |
| | 16605 | Fuse, 10 AMP(Before 6/88 and after 1/97) |
| 6 | 20162 | Fuse, 10 AMP (Between 6/88 and 01/20/97) |
| | 20442 | Fuse Holder (After 01/20/97) |
| 7 | 20163 | Fuse Holder (Between 6/88 and 01/20/97) |
| | 16604 | Fuse Holder (Before 6/88) |
| 8 | 32313 | Motor, 230V, 1 PH, 1/4 HP, 1 SP |
| 8 | 32302 | Motor, 230V, 1 PH, 1/4 HP, 2 SP |
| 9 | 6138 | Blower Wheel Assy., (8-1/2" Diameter) |
| 10 | 11204 | Terminal Block w/ Screws |
| | 4888 | Lug, Grounding |
| | 34898 | Cord Set Assy. w/receptacle, 3 PH |
| | 34899 | Cord Set Assy. w/receptacle, 1 PH |
| | 37227 | Harness, Element 5 KW |
| | 16647 | Harness, Element 7.5 KW |
| 11 | 19118 | Element Assy., 208V, 5 KW |
| 11 | 8596 | Element Assy., 230V, 5 KW |
| 11 | 8595 | Element Assy., 240V, 5 KW |
| | 19284 | Element Assy., 208V, 7.5 KW |
| | 90097 | Element Assy., 230V, 7.5 KW |
| | 90098 | Element Assy., 240V, 7.5 KW |
| | NOTE: | 2 Element Rings in element assy = 5 KW 3 Element Rings in element assy = 7.5 KW |
| | 6177 | Microswitch Plate (used with 16880) |
| 12 | 16880 | Microswitch Assy., Door (Before 02/14/97) |
| | 33946 | Microswitch Assy., Door (After 02/14/97) |
| | 33286 | Activator, Door Switch (Before 07/17/98) used with 33946 |
| | 34524 | Activator, Door Switch (07/17/98 and After) used with 33946 |
| 13 | 21430 | Axial Fan Kit, 3", 230V (Before 05/22/97 or S.N. 052297LA035S) |
| 13 | 23034 | Axial Fan Kit, 4", 230V (After 05/22/97 or S.N. 052297LA035S) |
| 14 | 37296 | Mechanical Contactor Conversion Kit, (1&3PH) |
| | R11087 | Mechanical Contactor, 3 Pole, 40 AMP, 240V, (1 & 3PH) |
| | NOTE: | Contactors listed above for 5 kW or 7.5 KkW ovens. |
| | 36429 | Circuit Breaker |

CONTROLS FOR OVENS MANUFACTURED BEFORE 7/83

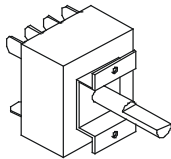
| Ref. No. | Part No. | Description |
|----------|----------|--|
| | 5147 | Timer, 60 Minute Mechanical w/ Knob |
| | 16498 | Knob, Timer 60 Minute Mechanical |
| | 11304 | Dial, 60 Minute Mechanical Timer |
| | 16948 | Timer, 60 Minute for Electric Buzzer w/ Knob |
| | 16820 | Dial Plate |
| | 16030 | Knob, 60 Minute Timer for Electric Buzzer |
| | 5279 | Thermostat, KX-38-36 w/o Knob (140° - 550°) |
| | 11224 | Dial, Thermostat |
| | 6502 | Cool Down Switch, Rocker DPDT, Red |
| | 6500 | Blower Switch, Rocker DPST, Blue |
| | 6504 | Indicator Light, 250V, Red, Rectangular |

CONTROLS FOR OVENS MANUFACTURED 7/83 THROUGH 9/86

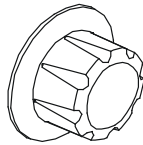
| Ref. No. | Part No. | Description |
|----------|----------|--|
| | 15956 | Timer, 60 Minute w/o Knob (Cook Only) |
| | 16030 | Knob, Timer |
| | 16536 | Thermostat, Cook KX-234-36 w/o Knob (140° - 500°) |
| | 17212 | Knob, Thermostat |
| | 90588 | Contactor, 50 AMP |
| | 16607 | Control Decal, Lexan (Cook Only) |



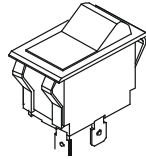
1
20350
Buzzer,
240V



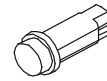
2
18868-3 pos.
21068-4 pos.
Mode Selector Switch



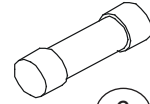
3
16686
Knob,
Black



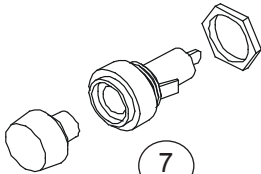
4
30465
Cool Down Switch,
Rocker, Black



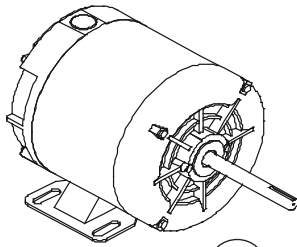
5
16037
Indicator
Light



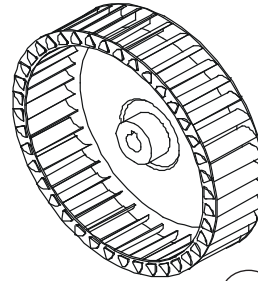
6
20162 or
16605
Fuse



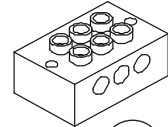
7
20163 or
20442
Fuse



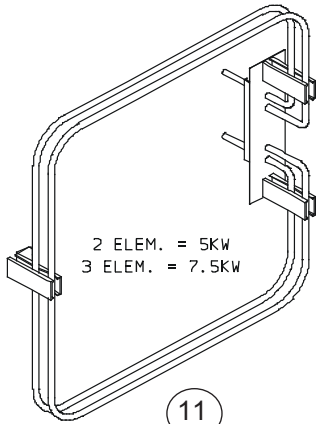
8
32313 or
32302
Motor



9
6138
Blower Wheel

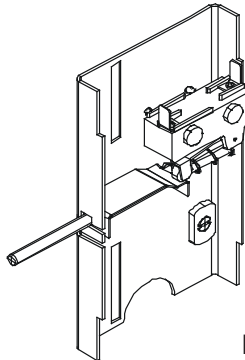


10
11204
Terminal
Block

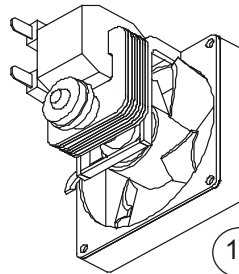


2 ELEM. = 5KW
3 ELEM. = 7.5KW

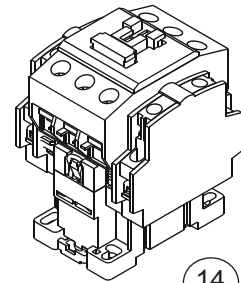
11
8596 - 230V 5KW
8595 - 240V 5KW
19284 - 208V 7.5KW
90097 - 230V 7.5KW
90098 - 240V 7.5KW
19118 - 208V, 5KW
Element Assy



12
16880 or
33946
Microswitch



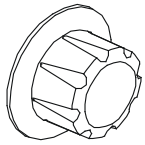
13
21430, 3" or
23034, 4"
Axial Fan



14
R11087
Contactor,
3 Pole

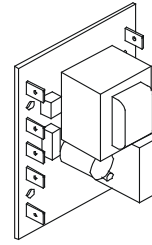
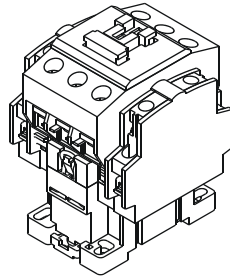
SOLID STATE MANUAL CONTROLS

STANDARD ON OVENS MANUFACTURED AFTER 9/86



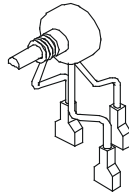
6
16686
Knob, Black

5
R11087
Contactor,
3 Pole

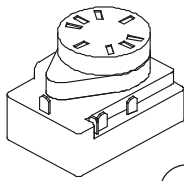
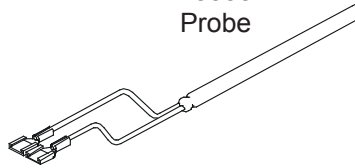


1
18578
Control
Board, S.S.

3 18234
Potentiometer

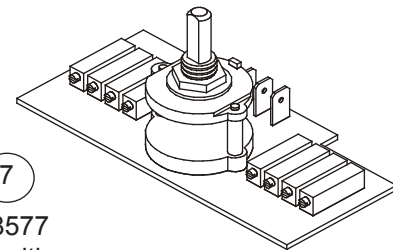


2
18588
Probe



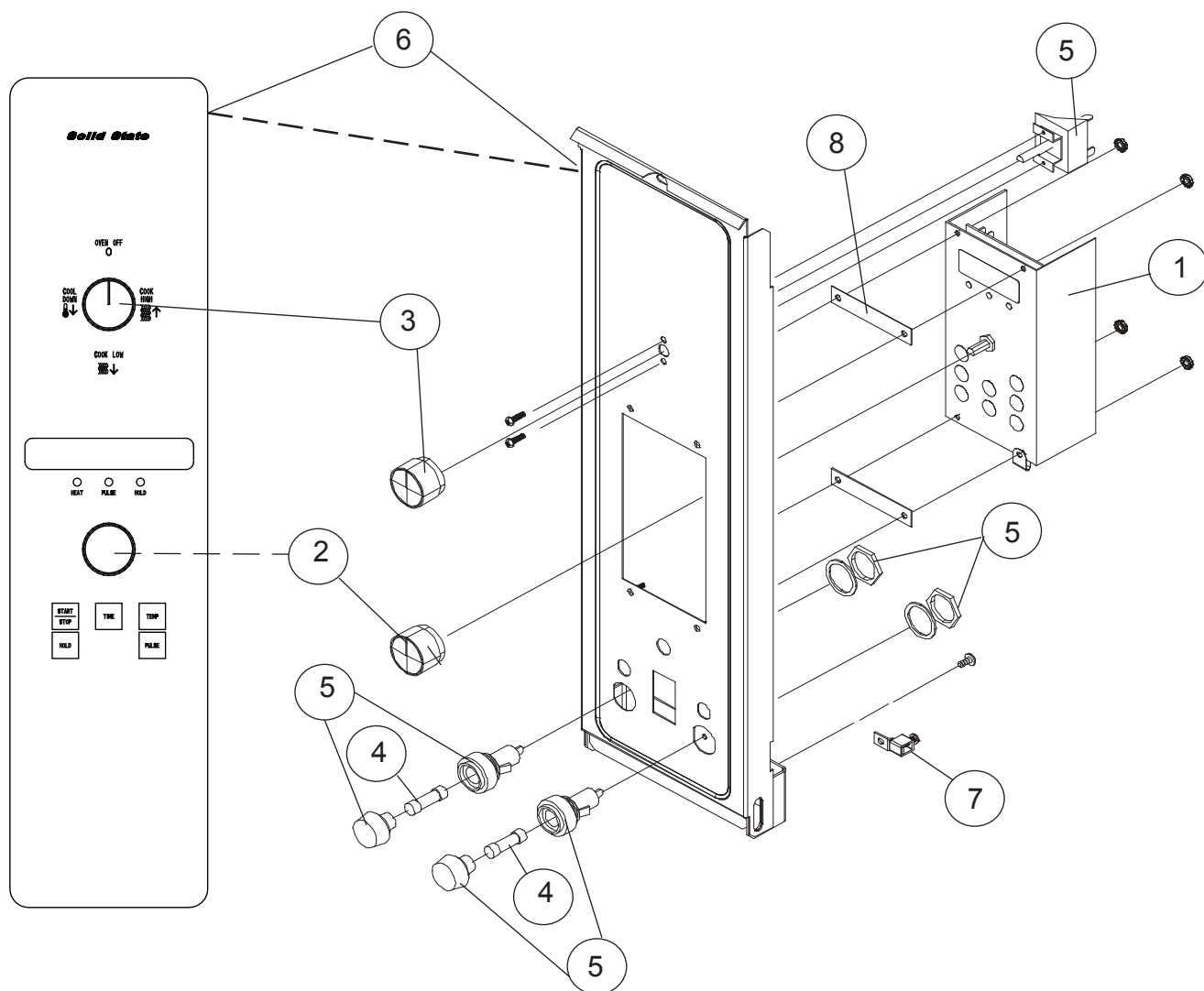
4
18226
Timer,
60 min, 240V

7
18577
8 Position
Temp Switch



| Ref. No. | Part No. | Description |
|----------|----------|--|
| | 20346 | Temperature Controller, 3 Positions (Specify Model & Temperature Settings) |
| | 21432 | Temperature Controller, 1 Position (Specify Model & Temperature Settings) |
| | 16645 | Probe, Temperature (For 1 & 3 Position Controllers) (2 Wires) |
| | 16542 | Probe, Temperature (For 1 & 3 Position Controllers) (4 Wires) |
| | 16536 | Thermostat, KX-234-36, Back-Up |
| | 16393 | Knob, for back up Thermostat 16536 |
| 1 | 18578 | Temperature Control Board, Solid State |
| 2 | 18588 | Probe, Temperature |
| 3 | 18234 | Potentiometer, Remote (Infinite Control) |
| 7 | 18577 | 8 Position Temperature Switch |
| | 53451 | Hardees 8 Position Switch |
| 4 | 18226 | Timer, 60 Minute 240V |
| 6 | 16686 | Knob, 8 Position Temperature Switch |
| | 90099 | Heat Selector Switch, 3 Positions w/o Knob (Used w/20346) |
| 6 | 16686 | Knob, Heat Selector Switch |
| 5 | 37296 | Mechanical Contactor Conversion Kit |
| | R11087 | Mechanical Contactor, 3 Pole, 40 AMP, 240 V (1 & 3 PH) |
| | 16685 | Control Decal, Lexan (3 Position) |
| | 22018 | Control Decal, Lexan (Infinite Cook Only) |
| | 18908 | Control Decal, Lexan (8 Set Point Cook), single speed (After 12/7/2008) |
| | 16637 | Control Decal, Wendy's only (3 Set Point) |
| | 30465 | Rocker Switch, DPDT (For 1 or 3 set pt. only) |
| | 55186 | Panel & Decal CTB/R Infinite Temp Control, 2 speed |
| | 52360 | Control Decal w/Panel (8 Set Point), single speed (Before 12/7/2008) |
| | 20945 | Decal (8 Set Point), 2 speed (After 5/3/2010) |

SOLID STATE DIGITAL CONTROLS 5 KEY



| <u>Ref. No.</u> | <u>Part No.</u> | <u>Description</u> |
|-----------------|-----------------|--|
| 1 | 30658 | Controller, Time/Temp. (5 Key) |
| | 21068 | Mode Switch, 4 pos. |
| | 18588 | Probe, Temperature (see picture prior page, item 2 page 4) |
| 2 | 24685 | Knob, Adjust |
| 3 | 24684 | Knob, Mode |
| 4 | 16605 | Fuse, 10 AMP (Before 6/88 and after 01/20/97) |
| 4 | 20162 | Fuse, 10 AMP (Between 6/88 and 01/20/97) |
| 5 | 20442 | Fuse Holder (After 01/20/97) |
| 5 | 20163 | Fuse Holder (Between 6/88 and 01/20/97) |
| 5 | 16604 | Fuse Holder (Before 6/88) |
| | 16880 | Microswitch Assy., Door |
| | 23086 | Suppressor Assy. |
| 6 | 52414 | Control Panel & Decal Assy (Before 4-13-2010) |
| 6 | 30669 | Control Panel & Decal (After 4-13-2010) |
| 7 | 90034 | Grounding Lug |
| 8 | 24931 | Spacer, Control Qty 2 |
| | 36429 | Circuit Breaker |

FAN DELAY WITH PULSE PLUS

| <u>Ref. No.</u> | <u>Part No.</u> | <u>Description</u> |
|-----------------|-----------------|--|
| | 18291 | Timer, Fan Delay, 10 Minute, 240V |
| | 18293 | Timer, Fan On, 30 Minute, 240V |
| | 18583 | Timer, Solid State, Pulsing, 30 Second, 240V |
| | 16539 | Indicator Light, 250V, Amber |
| | 18582 | Relay, 3PDT, 240V w/ Bracket |
| | 18911 | Control Decal, Lexan (Infinite) |

COOK & HOLD CONTROLS

| <u>Ref. No.</u> | <u>Part No.</u> | <u>Description</u> |
|-----------------|-----------------|--|
| | 17982 | Timer, 12 Hour w/ Knob (Before 3/7/85) |
| | 17863 | Timer, 12 Hour w/o Knob (After 3/7/85) |
| | 16686 | Knob, Timer |
| | 15365 | Thermostat, Hold K-877-36 w/o Knob (120° - 200°) (Before 9/86) |
| | 16392 | Knob, Hold Thermostat |
| | 20351 | Temperature Controller, Hold (150° - 250°) (After 9/86) |
| | 16686 | Knob, Hold Temperature Controller |
| | 18588 | Probe, Temperature |
| | 18868 | Mode Selector Switch w/o Knob (Before 9/86) |
| | 54477 | Mode Selector Switch w/o Knob (After 9/86) |
| | 16686 | Knob, Mode Selector Switch |
| | 16539 | Indicator Light, 250V, Amber, Round, Hold |
| | 90268 | Relay, 10 AMP, 3PDT |
| | 17926 | Microswitch Assy., Door Dbl (Before 9/86) |
| | 16608 | Control Decal, Lexan (C & H) (Before 9/86) |
| | 18907 | Control Decal, Lexan (Infinite Cook & Hold) (After 9/86) |

INTELLITOUCH II CONTROL

33 KEY

| <u>Ref. No.</u> | <u>Part No.</u> | <u>Description</u> |
|-----------------|-----------------|--|
| | 30857 | Probe, Temperature |
| | 21169 | Knob, Control |
| | 5279 | Thermostat, Back-Up KX-38-36 |
| | 19621 | Switch, Back-Up Thermostat Rocker, DPDT, Black |
| | 21675 | Relay, SPDT, 240VAC |
| | 19619 | Switch, On/Off Controller Rocker, DPST, Black |
| | 16880 | Microswitch Assy., Door |

INTELLITOUCHCONTROL

17 KEY

| <u>Ref. No.</u> | <u>Part No.</u> | <u>Description</u> |
|---|-----------------|---|
| NOTE: <i>Intellitouch Controller is no longer available. Please see page 9 for IQ2 conversion kit information.</i> | | |
| | 20360 | Probe, Temperature Integrated |
| | 20112 | RFI Filter (Used w/ Integrated Controller) |
| | 20356 | Transformer, 230V to 24V |
| | 17926 | Microswitch Assy., Door Double, 1SP |
| | 20167 | Control Panel & Decal Assy., (Before 10/87) |
| | 19189 | Control Panel & Decal Assy., (After 10/87) |

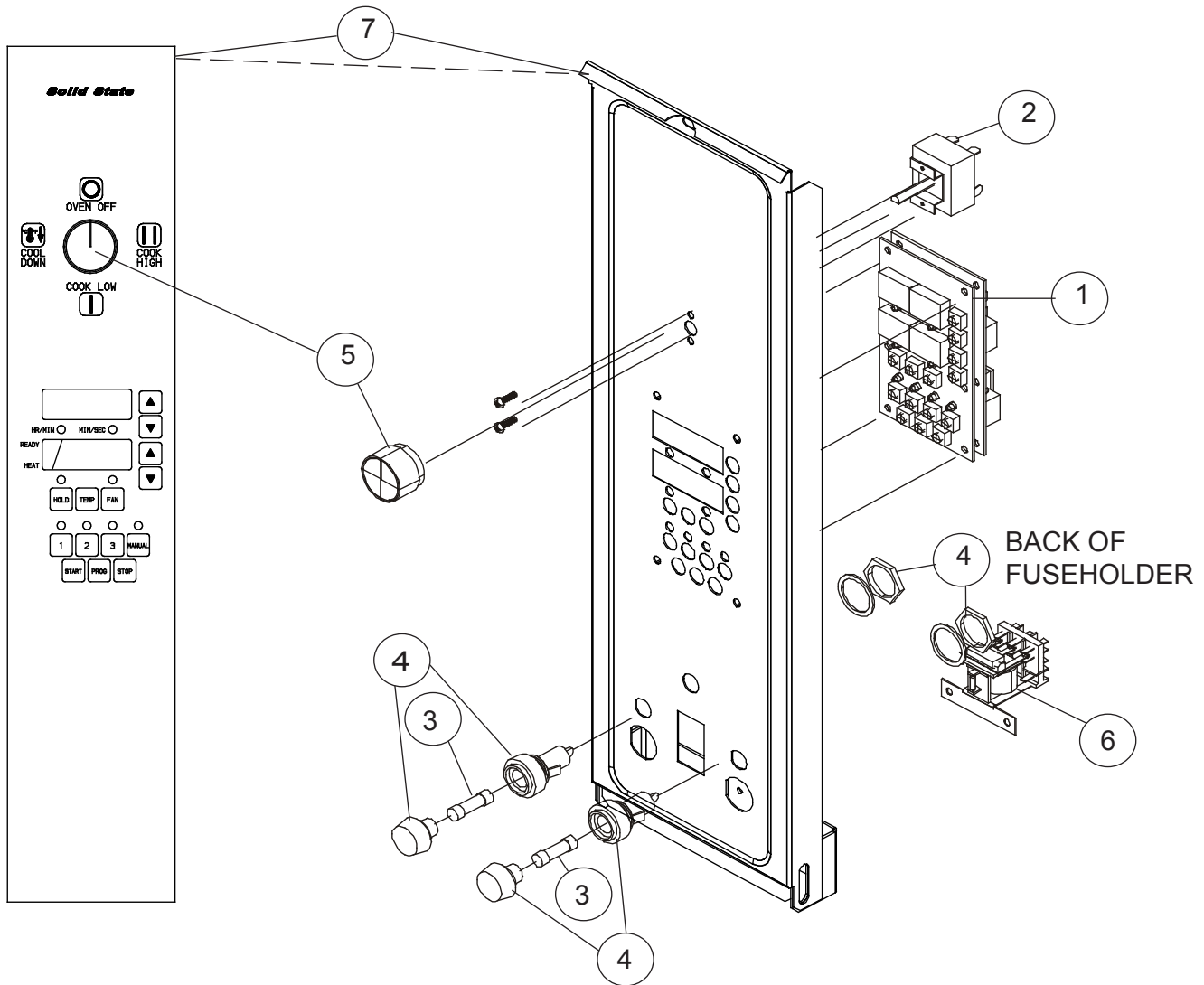
INTELLIPLUS & INTELLIHOLD CONTROLS

12 KEY & 13 KEY

| <u>Ref. No.</u> | <u>Part No.</u> | <u>Description</u> |
|---|-----------------|--------------------|
| NOTE: <i>Intelliplus/hold Controllers are no longer available. Please see page 9 for IQ2 conversion kit information.</i> | | |
| | 23392 | Probe, Temperature |
| | 24181 | Knob, Control |
| | 23086 | Suppressor Assy. |

CH102 CONTROLS

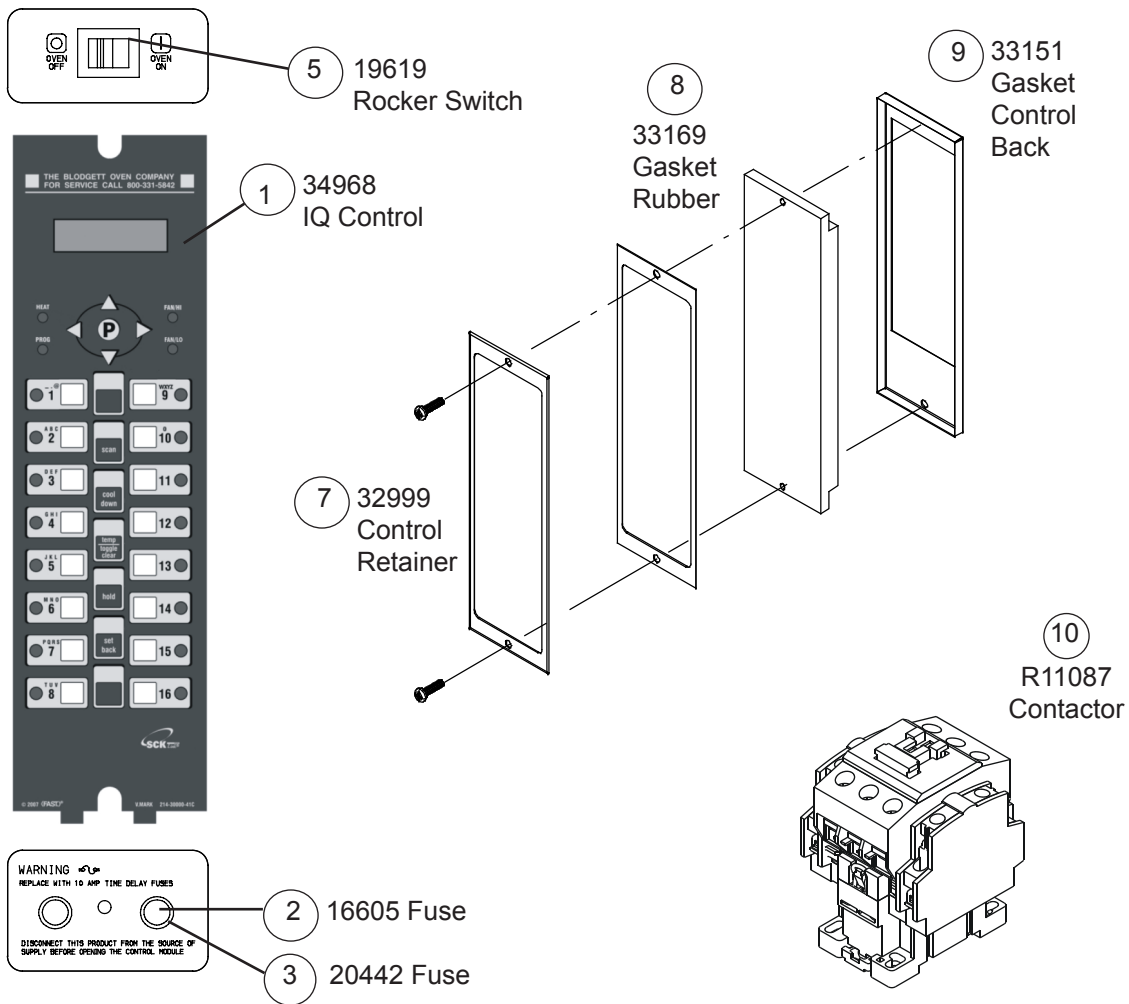
14 KEY



| Ref. No. | Part No. | Description |
|----------|----------|---|
| 1 | 37087 | Controller, CH102 14 Key |
| | 34473 | Probe, RTD 36" |
| 2 | 21068 | Mode Selector Switch, 4 Position |
| | 19620 | Light Switch, Rocker, DPST, Momentary |
| 3 | 16605 | Fuse, 10 Amp Qty 2 |
| 4 | 20442 | Fuseholder, 30 Amp Qty2 |
| 5 | 24684 | Knob, Adjust for Mode Selector Switch Qty 1 |
| | 23086 | Suppressor Assy |
| 6 | 21675 | Relay, SPDT 240V Qty 1 |
| | 16563 | Relay Bracket |
| | 21058 | Harness, Wiring Control Compartment |
| | 34411 | Harness, Wiring 2 SP |
| 7 | 36290 | Control Panel & Decal Assy, CH102 |

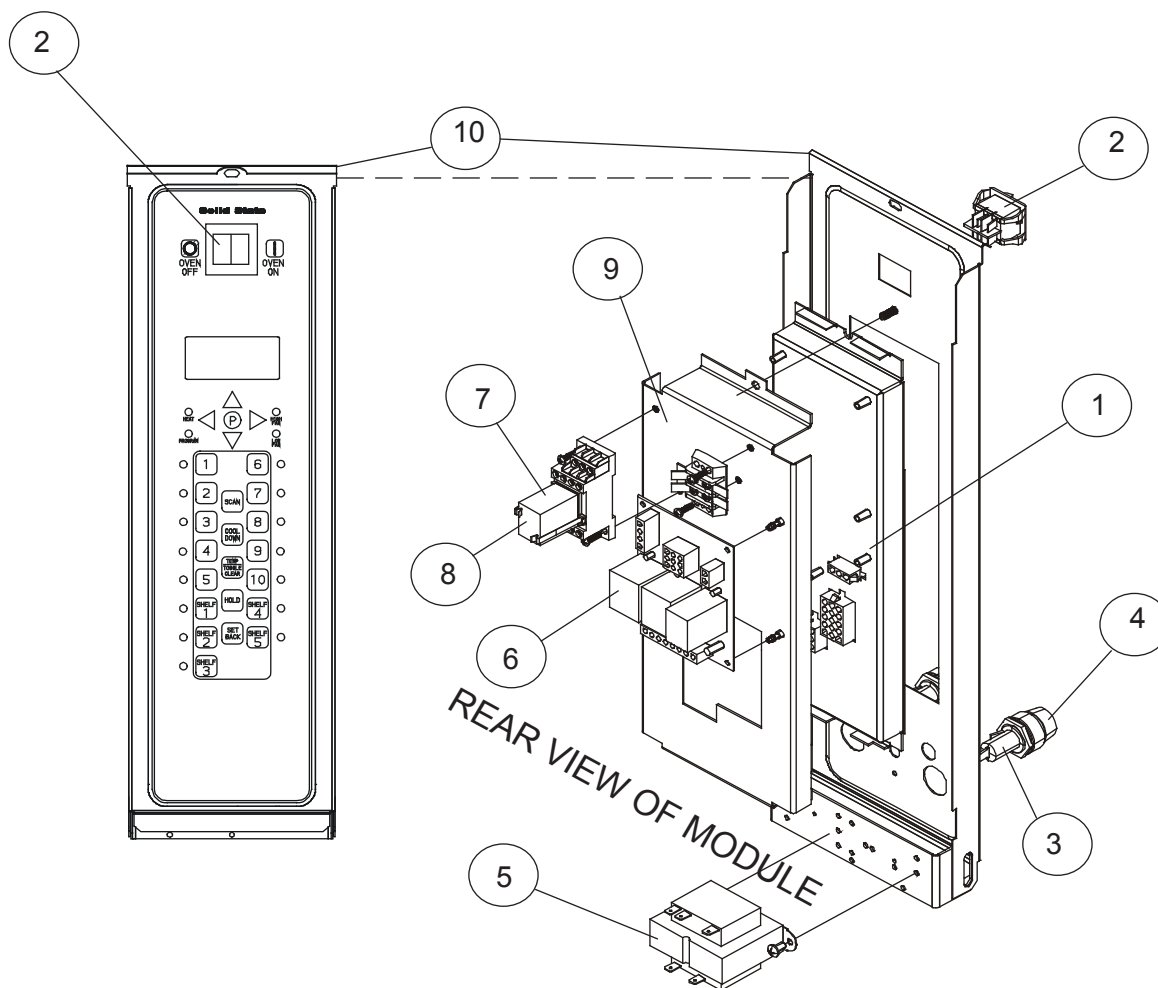
EXCLUSIVE TO KFC IQ CONTROLS

1997 AND AFTER OR CTB-AP (ALL PURPOSE)



| Ref. No. | Part No. | Description | Ref. No. | Part No. | Description |
|----------|----------|------------------------------------|----------|----------|---|
| 1 | 34968 | Control, "IQ" w/'SCK' for U.S. | | 34453 | Rack Support (Qty 1) |
| | 34450 | Motor, 230V, 2SP (for IQ Cntrl.) | | 35973 | Liner, Baffle Assy. |
| | 33902 | Relay | | 34935 | Baffle Bracket Kit |
| | 33073 | Relay Board | | 34875 | Removeable Access Panel, Bodyside |
| | 33074 | Probe, RTD 1000 Ohm | | 34454 | Door Assy, RH Grease Seam |
| | 33088 | Probe Clip | | 34449 | O-Ring (seals lower door bushings) |
| | 33922 | Socket, Relay | | 34947 | Perimeter Door Gasket Assy(After 4/29/99) |
| | 52948 | Transformer | | 34451 | RTV, Red (caulking used with door gasket) |
| 2 | 16605 | Fuse, 10 AMP | | 33241 | Decal, On/Off |
| 3 | 20442 | Fuseholder, 30 AMP. Class CC | 7 | 32999 | Control Retainer |
| | 33072 | Control Harness 24V | 8 | 33169 | Gasket Retainer |
| | 34435 | Harness, IQ Cntrl. | 9 | 33151 | Gasket, Control Back |
| | 34436 | Harness, IQ Cntrl., Rear | 10 | 37296 | Mechanical Contactor Conversion Kit, (1&3PH) |
| | 34951 | Harness, SCK "Communication" | | R11087 | Mechanical Contactor, 3 Pole,40 AMP,240V, (1 & 3PH) |
| | 33904 | MOV Assy. | | 34430 | Grease Tray Assy. |
| 5 | 19619 | Rocker, DPST, Black (Power Switch) | | | |
| | 34041 | US Product Strip (for IQ Controls) | | | |

IQ2 CONTROLS



| Ref. No. | Part No. | Description | Ref. No. | Part No. | Description |
|----------|--------------|---|--------------|----------|---|
| 1 | 50736 | Controller, IQ2 (After 06/14/2007) | 33169 | | Gasket, Rubber |
| 1 | 51062 | Controller, IQ2 (Before 06/14/2007) | 33151 | | Gasket, w/Control Back |
| | NOTE: | for ovens prior to 06/14/2007 51062 includes new panel & decal | 36729 | | IQ2 Conversion Kit (From Intellitouch) 1SP 1 PH 5 KW |
| | 36995 | Controller, IQ2 Burger King, U.S. only (After 8/27/2007) | 36724 | | IQ2 Conversion Kit (From Intellitouch) 1SP 1 PH 7.5 KW |
| | 51398 | Controller, IQ2 Burger King, U.S. only (Before 8/27/2007) | 36727 | | IQ2 Conversion Kit (From Intellitouch, Intellihold or Intellipus) 2SP 1 or 3 PH 5 & 7.5 KW |
| | 33074 | Probe, RTD | 37076 | | IQ2 Conversion Kit (From Intellitouch, Burger King Only) 1SP 1 PH 5 KW |
| 2 | 19619 | Switch, Rocker, DPST | 37077 | | IQ2 Conversion Kit (From Intellitouch, Burger King Only) 1SP 1PH 7.5 KW |
| 3 | 16605 | Fuse | 37036 | | IQ2 Conversion Kit (From Intellitouch, Burger King Only) 2SP 1 or 3 PH 5 & 7.5 KW |
| 4 | 20442 | Fuseholder | | | |
| 5 | 52948 | Transformer | NOTE: | | Conversion Kits above include all components to convert your unit. You may order parts separately after conversion is completed. |
| 6 | 33073 | Relay Board | | | |
| 7 | 33902 | Relay, Logic | | | |
| 8 | 33922 | Socket, Relay | | | |
| | 33072 | Harness, Control 24V | | | |
| | 34435 | Harness, Controller IQ2 | | | |
| 9 | M0593 | Terminal Block | | | |
| 10 | 37707 | Panel & Decal Assy (Before 06/14/2007) | | | |
| | 51061 | Panel & Decal Assy (After 06/14/2007) | | | |
| | 32999 | Control Retainer | | | |

COMPUTER READY OVENS

FASTRON DIGITAL TIMER-KFC

| Ref. No. | Part No. | Description |
|---|----------|---|
| | 16542 | Probe, Temperature (Dual 4 Wire) for 3 Position & 1 Position Boards |
| | 16645 | Probe, Temperature (2 Wires) for 8 Set Point and Infinite Boards |
| | 17925 | Cable Extension (For Single Oven) |
| | 22929 | Control Decal, KFC Only (Pos. w/o timer) |
| | 37296 | Mechanical contactor conversion kit (1 or 3 ph) |
| NOTE: <i>The Fastron Digital Timer on the side or top of your oven is not supplied or serviced by Blodgett. If you have issues with this, please contact Fast.</i> | | |

STANDS, LEGS, CASTERS

| Ref. No. | Part No. | Description |
|----------|----------|--|
| | 11993 | Stand, 5-3/4" Stainless |
| | 10857 | Stand, 7" Stainless |
| | 18479 | Stand, 16" Stainless w/ Shelf |
| | 10856 | Stand, 19" Stainless w/ Shelf |
| | 10855 | Stand, 24" Stainless w/ Shelf |
| | 10854 | Stand, 33" Stainless w/ Shelf |
| | 34024 | Stand, 11" Stainless w/Shelf & Adjustable Casters (KFC Only) |
| | 34025 | Stand, 19" Stainless w/Shelf & Adjustable Casters (KFC Only) |
| | 18482 | Stand, 16" Stainless w/ Shelf & Casters |
| | 11437 | Stand, 19" Stainless w/ Shelf & Casters |
| | 15151 | Stand, 24" Stainless w/ Shelf & Casters |
| | 33940 | Stand, 28" No Shelf (Burger King Only) |
| | 15153 | Stand, 33" Stainless w/ Shelf & Casters |
| | 30028 | Stand, 33" Stainless w/Feet and Rack |
| | 36601 | 33" Stand with Casters and Rack Guides |
| | 20435 | Legs, 4" w/ Bolts,S/S (Set of 4) |
| | 20497 | Shelf for Stand, S/S w/hardware |
| | 16002 | Casters (Set of 4) |
| | 33940 | Stand, 28 ", (Burger King Only) |
| | 36874 | 24" Open Stand w/Rack Supports and feet |
| | 36875 | 24" Open Stand w/Rack Supports and Casters |

BAKING COMPARTMENT COMPONENTS

| Ref. No. | Part No. | Description |
|----------|----------|--|
| | 22637 | Rack, w/ball stops, Each, 20-7/8" x 14-5/8" |
| | 8590 | Rack Support, Set of 2 (Before 8/91) |
| | 31311 | Rack Support, Set of 2 (After 8/91) |
| | 20353 | Thermostat Bulb Clip (Each) |
| | 6056 | Interior Baffle (Blower Wheel Cover) CTB S/S |
| | 35972 | Interior Baffle (Blower Wheel Cover) CTB Porc. |
| | 9543 | Interior Baffle (Blower Wheel Cover) CTBR S/S |
| | 35973 | Interior Baffle(Blower Wheel Cover) CTBR Porc. |
| | 20799 | Baffle Support Assy. w/ Screws |
| | 35934 | Baffle Bracket |
| | 9704 | Screen Assy, Baffle |

EXTERIOR COMPONENTS

| Ref. No. | Part No. | Description |
|----------|----------|--|
| | 6433 | Crown Assy. |
| | 90086 | Nameplate, Blodgett |
| | 8585 | Steam Vent Box w/ Screws for CTB-1 |
| | 90092 | Steam Vent Riser w/ Screws for CTB-2 S/S |
| | 18699 | Access Panel, S/S (Removeable Bodyside) (All units Before 07/01/98) |
| | 34875 | Access Panel, S/S (Removeable Bodyside) CTB-AP (07/01/98 and after) |
| | 34876 | Access Panel, S/S (Removeable Bodyside) CTB (07/01/98 and after) |
| | 34877 | Access Panel, S/S (Removeable Bodyside) CTBR (07/01/98 and after) |
| | 16002 | Casters (Set of 4) |
| | 18065 | Bolts, Connecting CTB-2, Set of 2 |

DOORS

| Ref. No. | Part No. | Description |
|--|----------|---|
| <u>MANUFACTURED AFTER 9/86</u> | | |
| ◆ | 19607 | Door Assy., Glass CTB |
| ◆ | 19609 | Door Assy., Glass CTBR |
| ◆ | 19608 | Door Assy., Solid CTB |
| ◆ | 19610 | Door Assy., Solid CTBR |
| <u>MANUFACTURED BETWEEN 1/85 & 9/86</u> | | |
| ◆ | 17947 | Door Assy., Glass CTB |
| ◆ | 17949 | Door Assy., Glass CTBR |
| ◆ | 17948 | Door Assy., Solid CTB |
| ◆ | 17950 | Door Assy., Solid CTBR |
| <u>MANUFACTURED BEFORE 1/85</u> | | |
| ◆ | 17807 | Door Assy., Roller Latch Conv. Glass CTB |
| ◆ | 17810 | Door Assy., Roller Latch Conv. Glass CTBR |
| ◆ | 17808 | Door Assy., Roller Latch Conv. Solid CTB |
| ◆ | 17809 | Door Assy., Roller Latch Conv. Solid CTBR |

DOOR COMPONENTS

| Ref. No. | Part No. | Description |
|----------|----------|--|
| | 8589 | Handle, Door 13" |
| | 19260 | Gasket, Door Perimeter CTB (Manufactured between 9/86 and 5/16/2010) |
| | 54849 | Gasket, Door Perimeter CTB (Manufactured After 5/16/2010) |
| | 20735 | Gasket, Door Perimeter CTBR (Manufactured between 9/86 and 5/16/2010) |
| | 54850 | Gasket, Door Perimeter CTBR (Manufactured After 5/16/2010) |
| | 17862 | Gasket, Door Perimeter (Manufactured Between 1/85 & 9/86) |
| | 11495 | Gasket, Door Perimeter (Manufactured Before 1/85) |
| | 9036 | Window Assy., Door (17-1/8" x 10") |
| | 9035 | Window Tool (comes with window) |
| | 16880 | Microswitch Assy., Door (Manufactured Before 2/14/97) |
| | 33946 | Microswitch Assy., Door (Manufactured After 2/14/97) |
| | 33286 | Door Pin Activator (Between 2/14/97 & 7/17/98) |
| | 34524 | Door Pin Activator (7/17/98 and after) |
| | 17946 | Door Roller Assy. CTB & CTBR (on Door) (Manufactured After 9/86) |
| | 17944 | Door Roller Assy. CTB (on Door) (Manufactured Before 9/86) |
| | 17945 | Door Roller Assy. CTBR (on Door) (Manufactured Before 9/86) |
| | 17865 | Latch, Roller w/ Screws (on Oven) Used with 17946, 17944, 17945 |
| | 90087 | Door Catch, Spring Clip (Manufactured Before 1/85) |
| | 8583 | Door Catch, Striker Plate (Manufactured Before 7/83) |
| | 8584 | Door Catch, Ball Plunger w/ Nut (Manufactured Before 7/83) |
| | 5742 | Spanner Key, Door Catch (Manufactured Before 7/83) |
| | 8594 | Hinge Pin w/ Bolts |
| | 90017 | Washers, Door, Set of 2 (Manufactured After 9/86) |
| | 90004 | Bushings, Door Hinge, Set of 2 (Manufactured After 9/86) |
| | 912 | Bushing, Welded, Qty. 1 (Manufactured Before 9/86) |
| | 11695 | Washers, Door, Set of 12 (Manufactured Before 7/83) |

EXCLUSIVE TO KFC CE

CTB-AP (All Purpose)

| Ref. No. | Part No. | Description |
|----------|----------|---|
| 1 | 34968 | Control, "IQ" w/"SCK" CE (After 4/22/2007) |
| | FW531 | Control, "IQ" w/"SCK", Recon. CE (Before 4/22/2007) |
| | 34450 | Motor, 230V, 2SP (for IQ Cntrl) CE |
| | 90097 | Element Assy, 230V 5KW CE |
| | 8596 | Element Assy, 230V, 7.5KW CE |
| | 36066 | Thermostat, High Limit Kit (Manual Reset CE |
| | M0593 | Terminal Block CE |
| | M3167 | Fuseholder, Type HTB-36M CE (for M8593) |
| | M8593 | Fuse, Export 10 Amp CE |
| | M8662 | Fuseblock, 5mm x 20mm CE (for M6899) |
| | 52948 | Transformer, 208/240V-24V CE |
| | 19619 | Rocker Switch, Black DPST CE |
| | 33072 | Control Harness, 24V CE |
| | 33073 | Relay Board CE |
| | 33904 | MOV Assy CE |
| | 33156 | Rear Communication Port CE |
| | 33241 | Decal, On/Off CE |
| | 33902 | Relay CE |
| | 33922 | Socket, Relay CE |
| | 33923 | Clip, Relay CE |
| | 34435 | Harness, IQ Cntrl. CE |
| | 35703 | Fuse, 250V 1.0 AMP CE |
| | 34453 | Rack Support (Qty 2) |
| | 35973 | Liner, Baffle Assy. |
| | 34935 | Baffle Bracket Kit |
| | 34875 | Removeable Access Panel, Bodyside |
| | 34454 | Door Assy, RH Grease Seam |
| | 34449 | O-Ring Gasket (seals lower door bushings) |
| | 34947 | Perimeter Door Gasket Assy (After 4/29/99 or S.N. 042999MA019S) |
| | 34451 | RTV, Red (caulking used with door gasket) |
| 7 | 32999 | Control Retainer |
| 8 | 33169 | Gasket Retainer |
| 9 | 33151 | Gasket, Control Back |

EXCLUSIVE TO EXPORT

| Ref. No. | Part No. | Description |
|----------|----------|--|
| | 20084 | Timer, 60 Minute, 240V, 50 HZ |
| | 20427 | Timer, 12 Hour, 240V, 50 HZ |
| | 18582 | Relay, 3PDT, 240V |
| | 33095 | Block, Terminal, 6 Pole CE |
| | 37297 | Mechanical contactor conversion kit (1 or 3 ph), all export except Japan |
| | 52265 | Mechanical contactor conversion kit (1 or 3 ph), Japan only |
| | R11087 | Contacto 40A mechanical, all export except Japan |
| | 52164 | Contacto 40A mechanical, Japan only |
| | 36066 | Thermostat, High Limit Kit (Manual Reset) CE |
| | M3167 | Fuseholder, Type HTB-36M CE (for M8593) (Manufactured Before 12/2/2008) |
| | M8593 | Fuse, Export 10 Amp CE (Manufactured Before 12/2/2008) |
| | 8596 | Element Assy, 230V 5 KW, 2 Ring Element |
| | 90097 | Element Assy, 230V 7.5 KW, 3 Ring Element |
| | 8595 | Element Assy, 240V, 5KW, 2 Ring Element (Great Britain only) |
| | 90098 | Element Assy, 240V, 7.5KW, 3 Ring Element (Great Britain) |
| | M3810 | Tube Clamp 1/8" CE |
| | 24684 | Knob, Control Infinite CE |
| | 36429 | Circuit Breaker (Manufactured After 12/2/2008) |
| | 30669 | Panel & Decal, SSD (Manufactured After 12/2/2008) |
| | 52414 | Panel & Decal, SSD (Manufactured Before 12/2/2008) |
| | 52653 | Panel & Decal Burger King IQ2 (Manufactured Before 8/27/2007) |
| | 52652 | Panel & Decal Burger King IQ2 (Manufactured After 8/27/2007) |
| | 52654 | Control & Panel Burger King IQ2 (Manufactured Before 8/27/2007) |
| | 52651 | Control & Panel Burger King IQ2 (Manufactured After 8/27/2007) |