



**REPLACEMENT PARTS CATALOG**

**BM-30, BM-30D**

**BOTTOM MOUNT HOT FOOD WELLS**

**BM-30 55430 – 208/240/277V-900/1200/1600W**

**BM-30 55431 – 208/240V-1200/1600W**

**BM-30 55435 – 120V-1200W**

**BM-30 55436 – 120V-750W**

**BM-30D 55303 – 120V-750W**

**BM-30D 55311 – 120V-1200W**

**BM-30D 55320 – 208/240V-1200/1600W**

**BM-30D 55326 – 208/240/277V-900/1200/1600W**

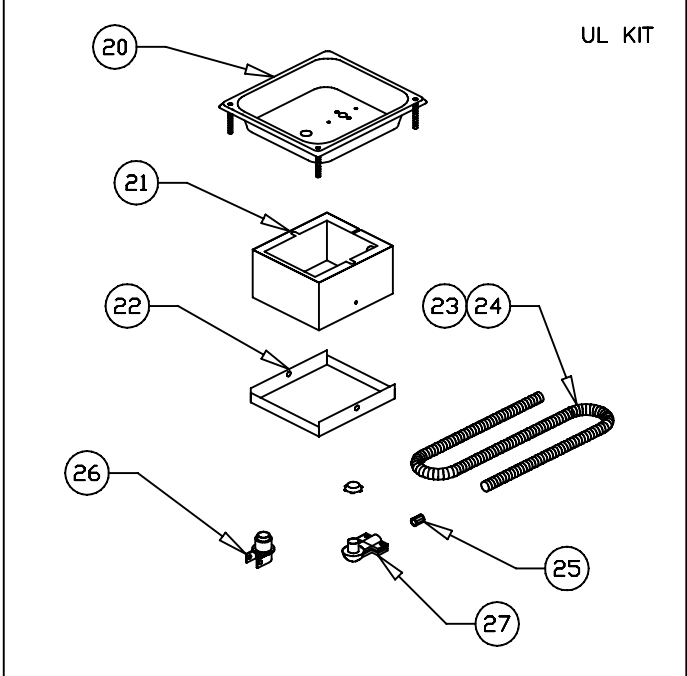
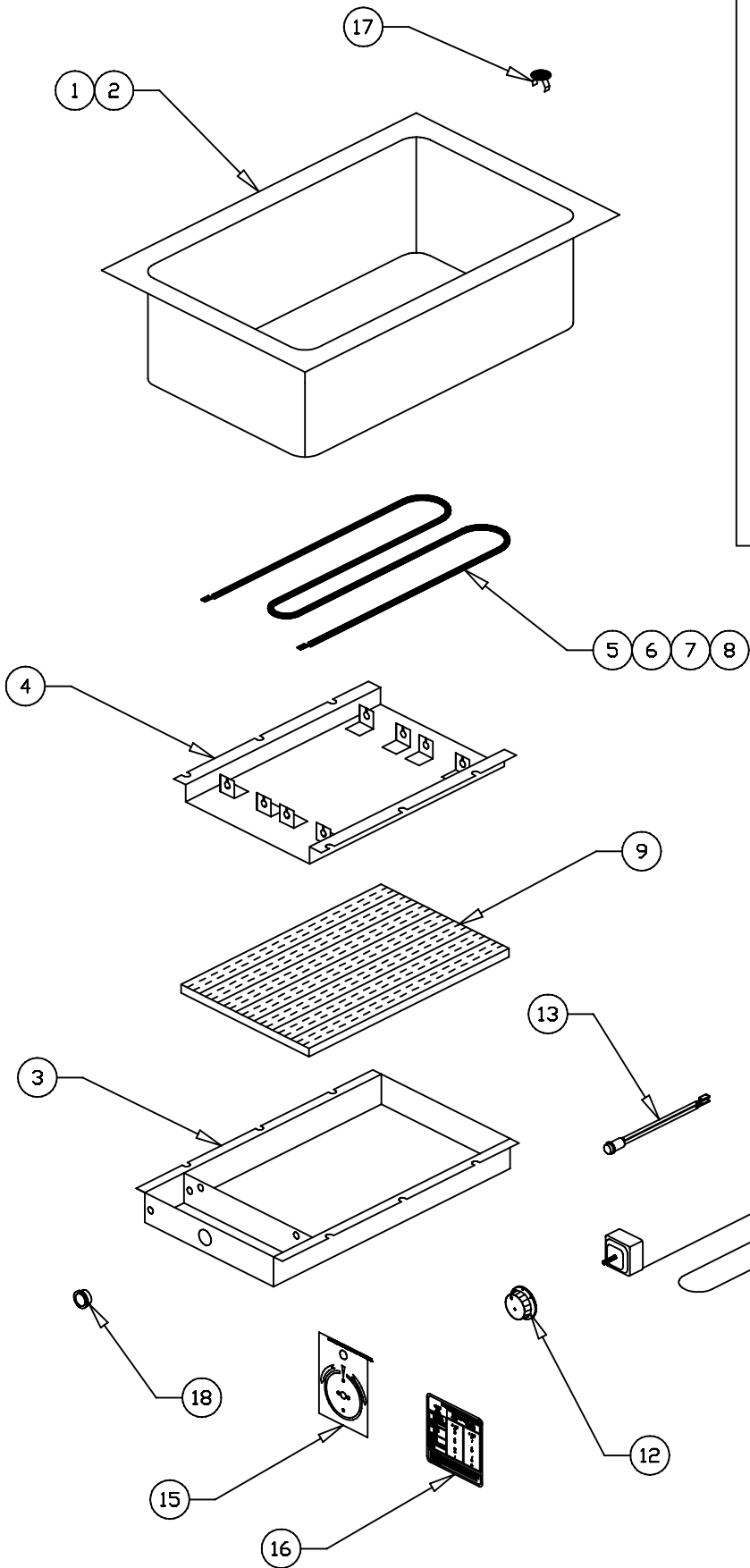
**FOR 72" THERMOSTAT ADD SUFFIX -72 TO MODEL AND STOCK NUMBER**

**FOR UL KIT ADD SUFFIX -36UL OR -72UL TO MODEL AND STOCK NUMBER**

**APW / Wyott**  
FOOD SERVICE EQUIPMENT CO.  
DALLAS, TX 75226

**BM-30, BM-30D**  
**BOTTOM MOUNT HOT FOOD WELLS**

ITEM	STOCK	DESCRIPTION
NUMBER	NUMBER	DESCRIPTION
1	56550	WELL PAN NO DRAIN (BM-30)
2	55304	WELL PAN W/DRAIN (BM-30D)
3	55608	BOTTOM COVER
4	55567	REFLECTOR PAN
5	55445	ELEMENT 120V-750W
6	55446	ELEMENT 120V-1200W
7	55441	ELEMENT 208/240V-1200/1600W
8	55440	ELEMENT 208/240/277V-900/1200/1600W
9	56547	BOTTOM INSULATION
10	56527	THERMOSTAT 36" CAPILLARY
11	56540	THERMOSTAT 72" CAPILLARY
12	56528	KNOB, THERMOSTAT
13	56530	INDICATOR LIGHT
14	56566	WIRE SET/36" THERMOSTAT
14A	56556	WIRE SET/72" THERMOSTAT
15	56529	INCREASE/DECREASE PLATE
16	56542	DIAL SETTING PLATE
17	56655	DRAIN STRAINER
18	89184	HOLE BUSHING
20	56370	CONTROL HOUSING
21	56581	CONDUIT BOX
22	56586	CONDUIT BOX COVER
23	55341	FLEX CONDUIT/36" THERMOSTAT
24	55331	FLEX CONDUIT/72" THERMOSTAT
25	55340	ANTI-SHORT BUSHING
26	55339	CONDUIT CONNECTOR
27	55343	CONDUIT CONNECTOR 90 DEGREE
	88961	10-24 GREEN HEX NUT
	89061	10-24 HEX NUT
	89025	10-24 SPEED NUT
	89071	#10 FLAT WASHER
	89059	#10 EXTERNAL LOCKWASHER
	89073	#8 x 1/2" SHEET METAL SCREW
	89120	JIFFY CLIP



# BM-30 WIRING DIAGRAM

AMERICAN PERMANENT WARE, INC.  
729 THIRD AVENUE  
DALLAS, TX. 75226

